

Economy Dumpster

*Compatible with Swap Hogg and other interchangeable truck body systems



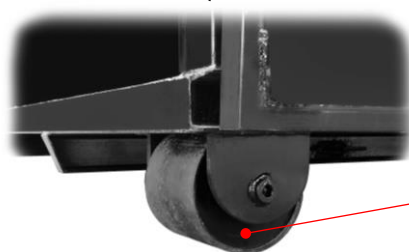
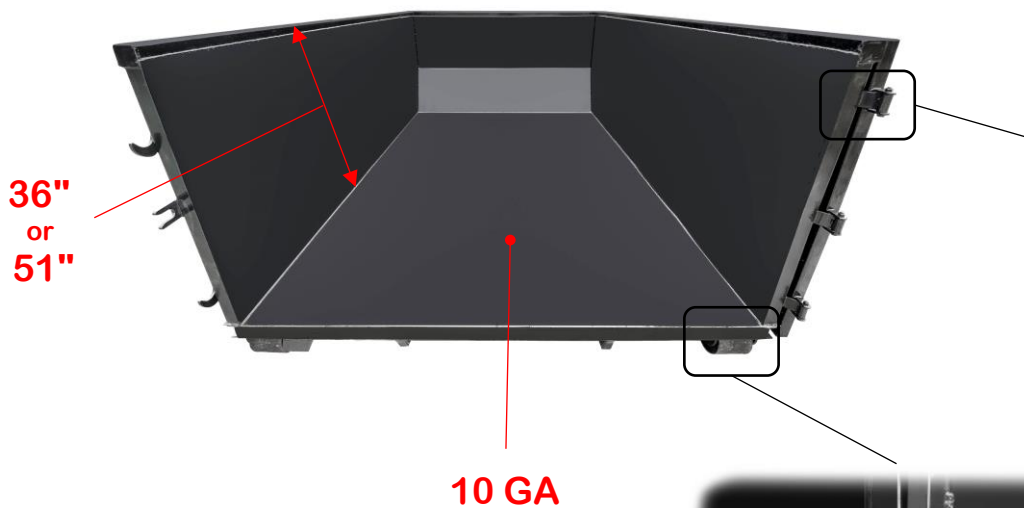
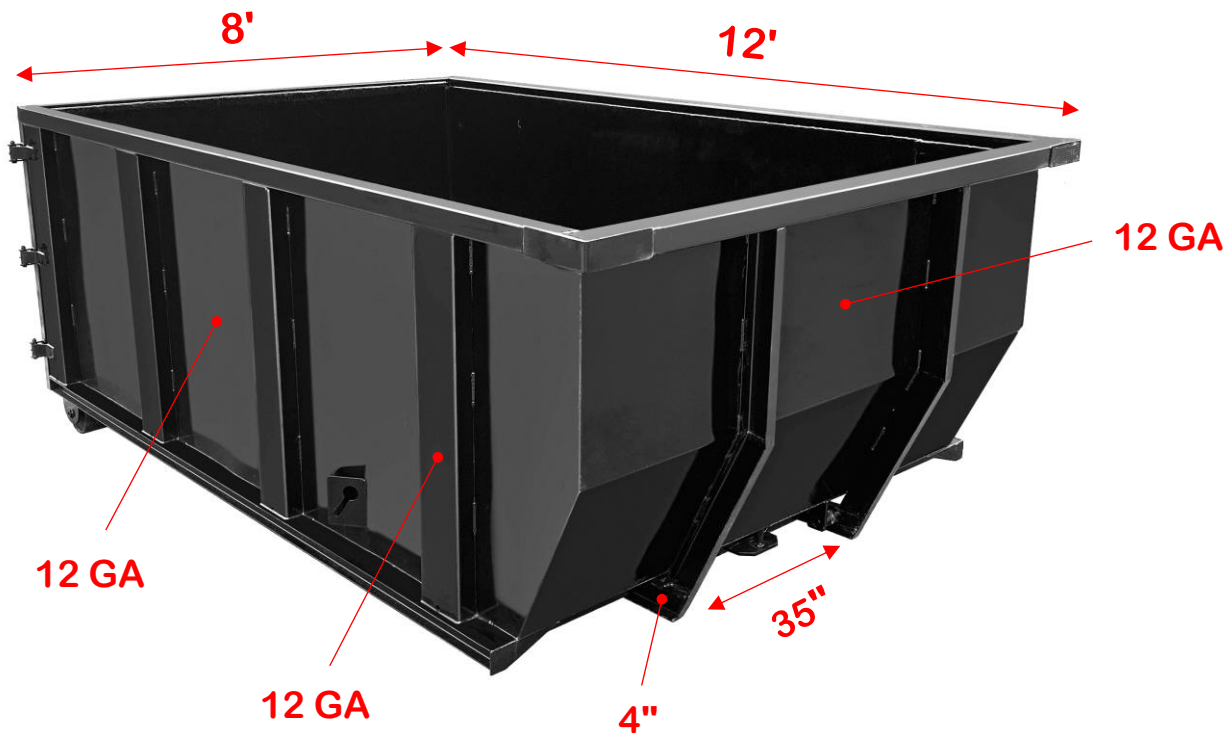
Standard Features:

- 3" Structural channel crossmembers spaced 16" on center
- Floor constructed with 10 GA steel
- Front, side, & gate panels constructed with 12 GA steel
- Doors constructed with 2" tubing
- Rear posts constructed with 12 GA steel
- Front & side top rails constructed with 3" tubing
- Door constructed with 2" tubing
- PPG direct to metal paint
- Steel ground rollers

Options:

- 36" or 51" tall sides (floor to top rail)
- Single, full width door or barn doors

Economy Dumpster



Distributed by:

